

Dental unit **Arco**
harmony of form



Dental unit **Arco** *premium*

The **Arco dental unit**, FEDESA's latest product, appeared on the market in 2012. The unit, which fits in to the medium-to-high range market niche, brings together all the standard resources needed by modern dentists. All the components of the unit - dental chair, cuspidor unit, main delivery system and auxiliary tray - boast the most highly advanced systems and technology. The dental unit can be set up following the user's own specifications, with the possibility of adding an intra-oral camera, monitor, etc. The Arco dental unit assures a maximum level of work operability for the dentist as well as the assistant, along with the most relaxing and comfortable conditions for the patient.

The novelty in this model is that it now includes new configurations for its ranges: PREMIUM, LUX and ECO which, together with the ORTHODONTICS version, can cater for a broad spectrum of users based on their various needs thanks to their user-friendliness and versatility, as well as the reliability of their equipment.

Each one of the three versions of the Arco dental unit can be configured in three different ways: colibrí/continental type, with hanging hoses and with a mobile unit.

The **Arco Premium** unit incorporates in its basic configuration the following equipment: an independent control panel for the dental unit and for the control of the micromotor and scaler, LED light on all the instruments, endo induction micromotor, ultrasonic scaler with LED light and a LED type illumination lamp.





erco

 **Fedesa**
A lifetime

Dental unit **Arco** *premium*



Height adjustable and double articulation headrest. Its ergonomics allow patients to place their heads in the ideal position for the doctor to work.

The control panel enables the control of all the dental unit's functions easily and in an intuitive manner. The parameters of the micromotor (speed, torque, light, direction of rotation, etc.) are also displayed, as well as those of the ultrasonic scaler (functions: general, endo and perio).





The **Premium** version, as in the rest of the range, can be configured as a hanging version or a **mobile unit** version.



The **assistant's unit** includes a **tray** with four holders on a double-articulated arm that allows the assistant to place the unit in a wide range of positions.

The **water bowl** can spin 180° for the benefit of the assistant, making it easier for patients to rinse their mouths. The bowl and faucet of the water supply system enjoy an excellent level of mobility (with a working radius of + - 90°) to adapt to the various needs of patients.



Dental unit **Arco** *lux*

The **Arco Lux** model, with the same formal and functional features as the PREMIUM range, provides the most standard configuration.

As in the rest of the Arco range, the unit's safety systems ensure incident-free use. Safety system applied to the chair lowering function, to the backrest and to the assistant's workstation.

Its user-friendliness, versatility and the reliability of the equipment allow for easy and affordable maintenance.

The Arco Lux model incorporates multi-purpose hoses with light, an electric brushless or induction micromotor with light and ultrasonic scaler.





Dental unit **Arco** *lux*



Cuspidor of unit is designed to include additional elements on assistant tray such as polymerization lamp, pneumatic hose, syringe, etc...

Optionally can be installed all kind of aspiration systems (wet, dry, amalgam separator, centralized system, etc...)

Cuspidor is also ready to get decontamination system in handpieces, pressurized water tank with selector, hot water, automatic cleaning of aspiration hoses, etc...



The **mobile unit**, which consists of an instrument tray with a hanging hoses system and an independent control panel to control all the unit's functions, features a complete pneumatic/electric set of instruments and a top instrument tray.

It is mounted on wheels that provide easy and lightweight handling as well as a wide range of movements to place the unit in any working position required by the operator.



The **instrument tray** of the hanging hose system features an integrated control panel.

The unit features a **foot pedal to control** the speed of the instruments. Optionally, foot pedal can also control movement of the chair.



Dental unit **Arco** *eco*

The **Eco version** is a pneumatic unit with the cuspidor and tray attached to the structure of the chair. The assistant's position features a simple tray with two holders (four can be provided on request) and the main tray includes pneumatic instruments with an ultrasonic scaler. It includes a foot pedal to control the speed of the instruments, water selector and chip blower (optionally, you can incorporate a multifunction foot pedal).

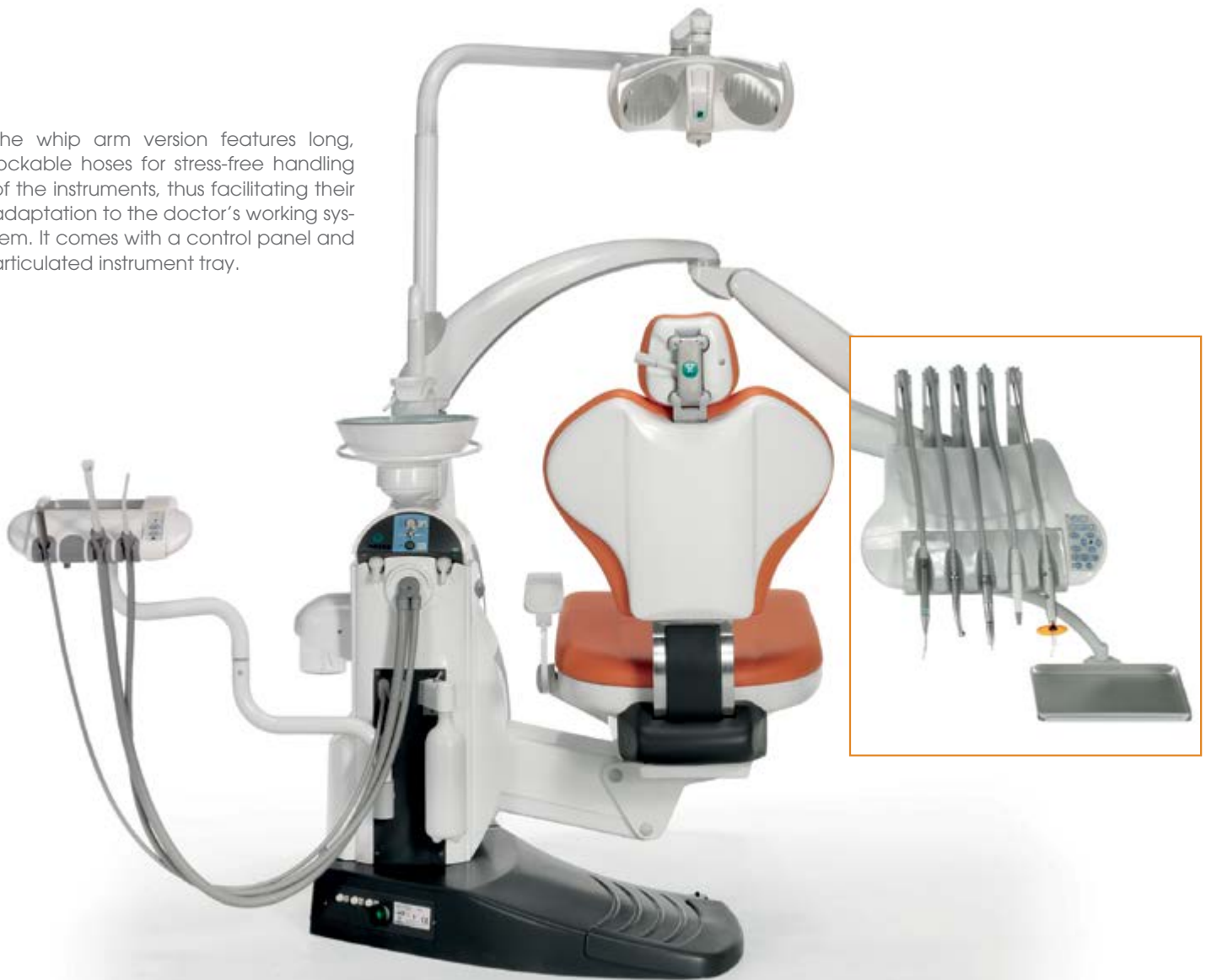
Available with whip/continental type main instrument tray, with hanging hoses and a mobile unit.





Dental unit **Arco** *eco*

The whip arm version features long, lockable hoses for stress-free handling of the instruments, thus facilitating their adaptation to the doctor's working system. It comes with a control panel and articulated instrument tray.



Optionally, the entire Arco dental unit range can be manufactured with two types of backrest: the standard model that is supplied with the unit and a model with a more pronounced groove.

The **cuspidor assembly** incorporates faucets and a bowl. The bowl is made of tempered glass and can be removed to facilitate cleaning, thus providing higher levels of hygiene. The colour of the bowl can be combined with the colour of the upholstery.



Dental unit **Arco** *orthodontics*

The **Arco dental unit** also offers a special configuration for **orthodontic** treatments. All the instruments required for these purposes can be found in the assistant's work position. The water and air syringe, rotary instruments and the suction hoses are fitted to a tray with four holders.

This version also features an instrument tray that is fitted on a double-articulated arm that provides a wide range of movements. The unit features a multi-function foot pedal to control the speed of the instruments, as well as the independent movement of the chair.

Available in two versions of articulated arms.



Dental unit **Arco**

Upholstery

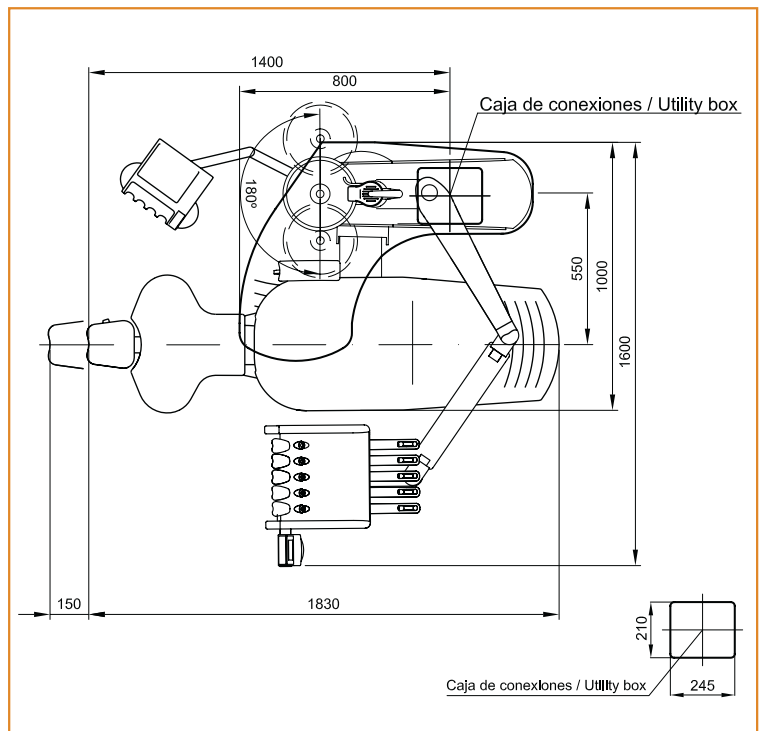
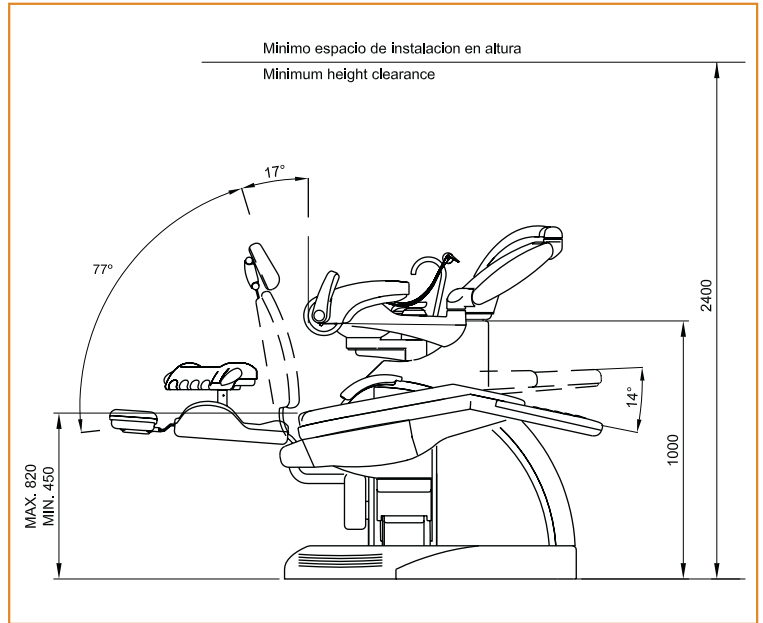
FEDESA provides upholstery on all its dental units that add to the design of its equipment, improving their convenience and comfort.

Low maintenance flame retardant upholstery without seams, washable and excellent resistance to use.

The extensive catalogue of upholstery colours also comes with viscoelastic upholstery (memory foam).

Textile colour finishes that combine with the dental unit

We have selected a wide range of colours for standard use to integrate with modern facilities.



The measurements indicated on the drawing will help you place your equipment in your surgery.

Options



Edi Model



Maia Model



Alya Model

Illumination lamp

All FEDESA dental units include lighting equipment that can be changed as an option.

EDI Lamp (25,000 lux halogen lamp). MAIA Lamp (35,000 lux LED lamp). ALYA Lamp (50,000 lux LED lamp).



Monitor

Slim, lightweight, with a 17" screen and adaptable to the various positions required for use by the doctor and patient.



Intraoral camera

High-resolution camera that can be added to the main tray and to the auxiliary tray. Small and very light, touch activation and detachable.



Pneumatic Model



Progressive Pneumatic Model



Multifunction Model

Control pedals

There are two types: pneumatic pedals with instrument rpm control, water and chip blower selector, and a multifunction pedal for instrument control and to adjust the chair.



Footrest

All seats on FEDESA units can be supplied with footrests, either with transparent plastic protections or independent polyurethane footrests.

Mobile units



Astral Model



Astral Model



Astral Model



Evolution Model

Mobile units

There are various ranges of mobile units: Premium, Lux and Eco. The Premium range features an induction micromotor integrated into the control panel. The Lux range has an electric brush micromotor and the Eco range features pneumatic instrumentation.

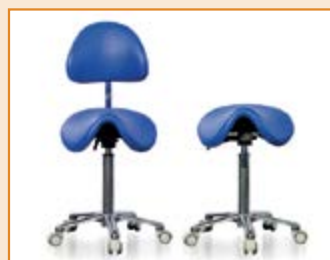
The Evolution mobile unit is only available in the Lux and Eco ranges.

Stools



Astral Model

Astral - A Model



Pony Model with backrest

Pony Model without backrest



Sory Model

Stools

FEDESA has three types of stools (the Astral, Pony and Sory models) available with or without backrests and with a footrest ring. Surround lumbar support. They are manufactured in stainless steel and feature a five-wheel base, as well as gas piston height adjustment.

A wide range of colours and textures in the upholstery catalogue.



Manufacturing dental units since 1970

From the origins of FEDESA back in the 1970s and right up to the present day, we have dedicated our efforts to meet the needs of dentists.

We are experts in designing, manufacturing, and marketing dental units. Our extensive catalogue of solutions caters for all the needs of today's dentists.

Our products meet all national and international regulations and certifications that ensure the quality of all our products. A wide network of agents approved by our brand for the domestic market, as in the rest of the world, collaborate with us to offer the best customer service.



NUEVA FEDESA, S.A.

Avda. Madrid, nº 45. 28500 Arganda del Rey
(Madrid) España
Tel.: 34 - 91 871 23 83. Fax: 34 - 91 871 64 88
fedesa@fedesa.com - www.fedesa.com

FEDESA reserves the right to make any changes for the benefit of the product
CT9A47-11. (1000 EJ. 28-02-017)
Design: De Ledesma
Printing: Gráficas Aries
Legal Deposit: M-6763-2017