

Dental unit **Prince**  
accessibility and reliability



# Dental unit **Prince** *premium*

The **Prince** model is a dental unit that is particularly popular in international markets and enjoys a strong presence in the domestic market. Designed in response to the need for low-maintenance equipment capable of heavy duty use on a daily basis, without affecting its accessibility and reliability.

It features safety systems governing the lowering of the chair, the backrest, circular work station system for the assistant and a user-friendly compensated arm with a wide range of movements.

The novelty in this model is that it includes new configurations for its ranges: PREMIUM, LUX and ECO that, together with the ORTHODONTICS version, cater for a broad spectrum of users based on their different needs.

Each one of the three versions of the **Prince dental unit** can be configured in three different ways: whiparm/continental type, with hanging hoses and with a mobile unit.

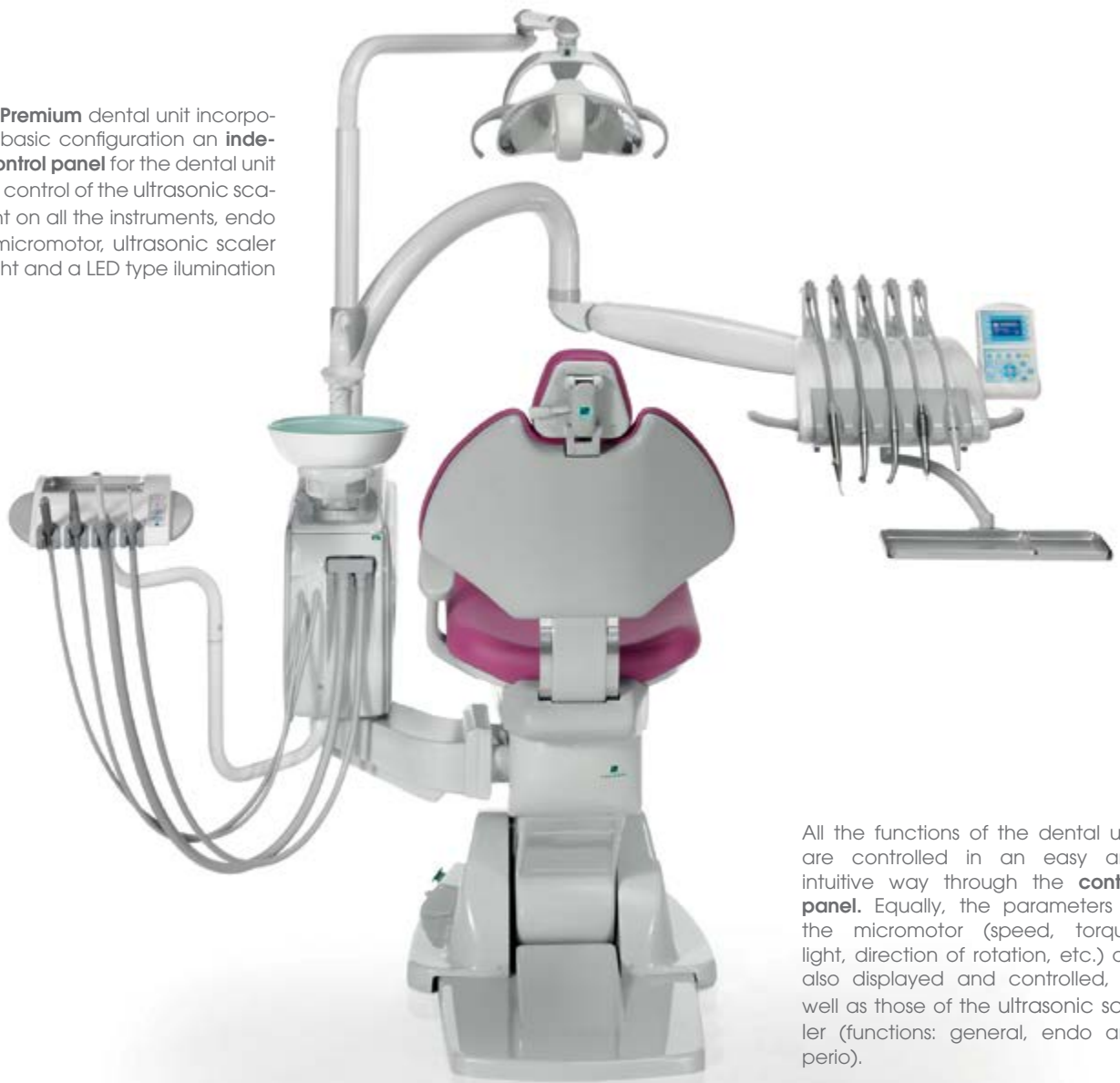




 **Fedesa**  
*A lifetime*

# Dental unit **Prince** *premium*

The **Prince Premium** dental unit incorporates in its basic configuration an **independent control panel** for the dental unit and for the control of the ultrasonic scaler, LED light on all the instruments, endo induction micromotor, ultrasonic scaler with LED light and a LED type illumination lamp.



All the functions of the dental unit are controlled in an easy and intuitive way through the **control panel**. Equally, the parameters of the micromotor (speed, torque, light, direction of rotation, etc.) are also displayed and controlled, as well as those of the ultrasonic scaler (functions: general, endo and perio).



Height-adjustable and double articulation **headrest**. Its ergonomics allow patients to place their heads in the ideal position for the doctor to work.







The **cuspidor assembly** incorporates faucets and a bowl. The bowl is made of tempered glass and can be removed to facilitate cleaning, thus providing higher levels of hygiene. The colour of the bowl can be combined with the colour of the upholstery.



# Dental unit **Prince** *lux*

The **Prince Lux** model has the same formal and functional specifications as the PREMIUM range, particularly as it is the most popular standard configuration.

As in the rest of the Prince range, the unit's safety systems ensure incident-free use. Safety system applied to the chair lowering function, to the backrest and to the assistant's work station.

Its user-friendliness, versatility and the reliability of the equipment allow for easy and affordable maintenance.

The Lux version, as in the rest of the range, can be configured as a whiparm version, hanging or a mobile unit version.

The Prince Lux model incorporates multi-purpose hoses with lights, an electric brushless or induction micromotor with light and an ultrasonic scaler.





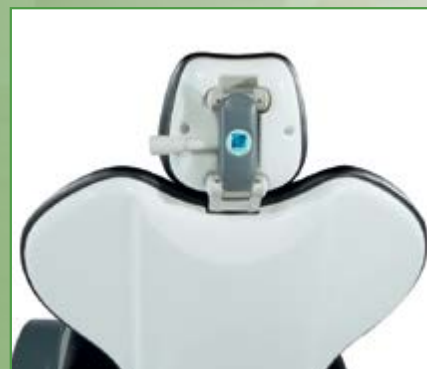
The **assistant's unit** includes a **tray** with four holders on a double-articulated arm that allows the assistant to place the unit in a wide range of positions.

# Dental unit **Prince** *lux*

The **Prince unit**, in its various ranges, Premium, Lux, Eco and Orthodontics, greatly facilitates the work of the doctor and of the assistant thanks to the work spaces provided in its design.


The anatomical shape of the chair, in addition to maintaining the patient in the ideal position, reduces the fatigue of both the patient and the dentist.

Optionally, the entire Prince dental unit range can be manufactured with two types of backrest: the standard model that is supplied with the unit and a model with a more pronounced groove.



**The lockable whip arms** prevent stress when handling the instruments. Reduced height of the whip arm to avoid contact with other nearby elements. Long hoses.





The instrument tray, both in the whip arm/continental system and in the hanging hose system, is mounted on a compensated gas piston powered arm that offers a wide range of movements, allowing stress-free work in the best position for the doctor. It includes an articulated instruments tray.

# Dental unit **Prince** *eco*

The **Eco** version is a pneumatic unit with the cuspidor and tray attached to the structure of the chair. The assistant's position features a simple tray with two holders (four can be provided on request) and the main tray includes pneumatic instruments with an ultrasonic scaler. It includes a foot pedal to control the speed of the instruments, water selector and chip blower (optionally, you can incorporate a multifunction foot pedal).

Available with whip/continental type main instrument tray, with hanging hoses and a mobile unit.





The whip arm system **instrument tray** features long and lockable hoses that allow stress-free work in the best position for the doctor. There is also a control panel and an articulated instrument tray.

# Dental unit **Prince** *eco*



The **mobile unit**, consisting of an instrument tray with a hanging hoses system, an independent control panel to control all the unit's functions, has a complete pneumatic/electric set of instruments and a top instrument tray.

It is mounted on wheels that provide easy and lightweight handling as well as a wide range of movements to place the unit in any working position required by the operator.



The **Prince dental unit**, in its various ranges, features a **main tray** that includes the instruments panel, facilitating the optimal use of the chair's functions.

The **whip arm** version features long, lockable hoses for the stress-free handling of the instruments, thus facilitating their adaptation to the doctor's working system. There is also a control panel and an articulated instrument tray.





# Dental unit **Prince** *orthodontics*

The **Prince dental unit** also offers a special configuration for **orthodontic** treatments. All the instruments required for these purposes can be found in the assistant's work position. The water and air syringe, rotary instruments and the suction hoses are fitted to a tray with four holders.

This version also features an instrument tray that is fitted on a double-articulated arm that provides a wide range of movements. The unit features a multi-function foot pedal to control the speed of the instruments, as well as the independent movement of the chair.

Available in two versions of articulated arms.



# Dental unit Prince

## Upholstery

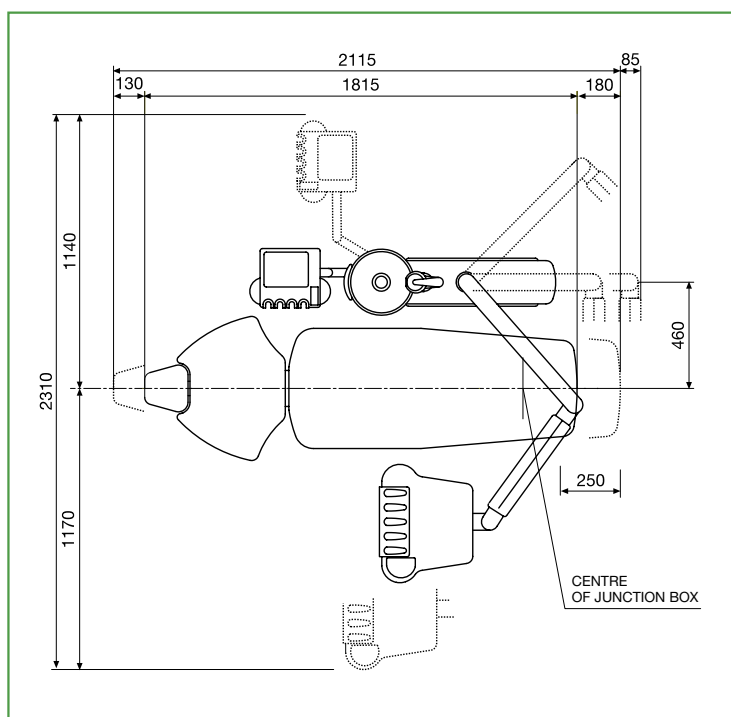
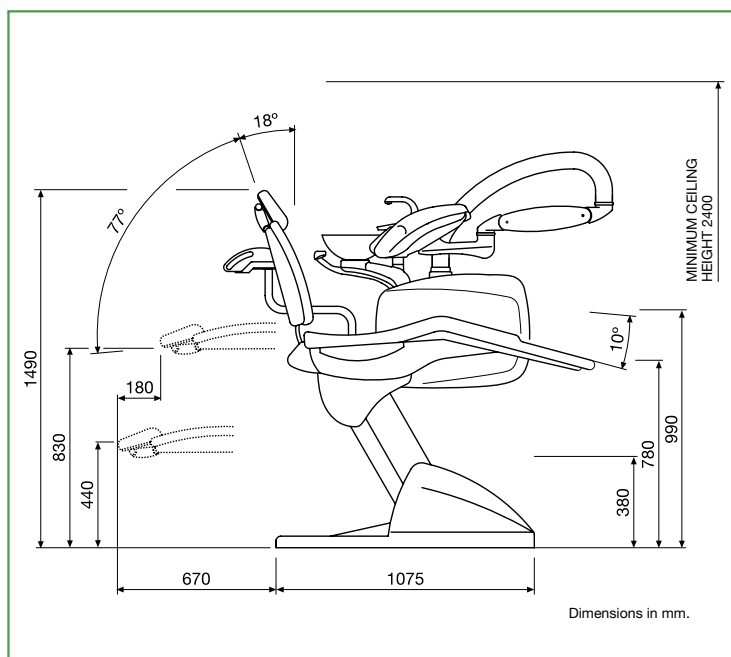
FEDESA provides upholstery on all its dental units that add to the design of its equipment, improving their convenience and comfort.

Low maintenance flame retardant upholstery without seams, washable and excellent resistance to use.

The extensive catalogue of upholstery colours also comes with viscoelastic upholstery (memory foam).

## Textile colour finishes that combine with the dental unit

We have selected a wide range of colours for standard use to integrate with modern facilities.



The measurements indicated on the drawing will help you place your equipment in your surgery.

# Options



Edi Model



Maia Model



Alya Model

## Illumination lamp

All FEDESA dental units include lighting equipment that can be changed as an option.

EDI Lamp (25,000 lux halogen lamp), MAIA Lamp (35,000 lux LED lamp), ALYA Lamp (50,000 lux LED lamp).



## Monitor

Slim, lightweight, with a 17" screen and adaptable to the various positions required for use by the doctor and patient.



## Intraoral camera

High-resolution camera that can be added to the main tray and to the auxiliary tray. Small and very light, touch activation and detachable.



Pneumatic Model



Progressive Pneumatic Model



Multifunction Model

## Control pedals

There are two types: pneumatic pedals with instrument rpm control, water and chip blower selector, and a multifunction pedal for instrument control and to adjust the chair.



## Footrest

All seats on FEDESA units can be supplied with footrests, either with transparent plastic protections or independent polyurethane footrests.

# Mobile units



Astral Model



Astral Model



Astral Model



Evolution Model

## Mobile units

There are various ranges of mobile units: Premium, Lux and Eco. The Premium range features an induction micromotor integrated into the control panel. The Lux range has an electric brush micromotor and the Eco range features pneumatic instrumentation.

The Evolution mobile unit is only available in the Lux and Eco ranges.

# Stools



Astral Model

Astral - A Model



Pony Model with backrest

Pony Model without backrest



Sory Model

## Stools

FEDESA has three types of stools (the Astral, Pony and Sory models) available with or without backrests and with a footrest ring. Surround lumbar support.

They are manufactured in stainless steel and feature a five-wheel base, as well as gas piston height adjustment.

A wide range of colours and textures in the upholstery catalogue.



### Manufacturing dental units since 1970

From the origins of FEDESA back in the 1970s and right up to the present day, we have dedicated our efforts to meet the needs of dentists.

We are experts in designing, manufacturing, and marketing dental units. Our extensive catalogue of solutions caters for all the needs of today's dentists.

Our products meet all national and international regulations and certifications that ensure the quality of all our products. A wide network of agents approved by our brand for the domestic market, as in the rest of the world, collaborate with us to offer the best customer service.



**NUEVA FEDESA, S.A.**

Avda. Madrid, nº 45. 28500 Arganda del Rey  
(Madrid) España  
Tel.: 34 - 91 871 23 83. Fax: 34 - 91 871 64 88  
fedesa@fedesa.com - www.fedesa.com

FEDESA reserves the right to make any changes for the benefit  
of the product  
CT9A41-11. (1000 EJ. 28-02-017)  
Design: De Ledesma  
Printing: Gráficas Aries  
Legal Deposit: M-6765-2017