

E9

EN

Functional, reliable
and always connected



Euronda[®]
Pro System

E9 embodies all Euronda's experience in the production of autoclaves, creating a machine that teams extreme reliability with the most modern concepts of connectivity and complete traceability. The simple, clean-cut design and the advanced planning and design approach are just the first, most immediate indications of a quality device with plenty to discover. The choice and assembly of the materials make E9 a strong, extremely functional, long-lasting autoclave. What really makes it unique, however, are the various connectivity and traceability options it offers.



Connectivity

The integrated SD Card and the Ethernet or WiFi connection (optional) ensure the data on sterilisation cycles are always available.



Traceability

With three Print Sets for printing adhesive labels, which can also be added after purchase.



Reliable

E9 is the result of the constant improvements made to each of the components, to offer maximum reliability and efficacy.



Functional

Designed inside and out to offer maximum efficiency and lasting quality.



Smart

The clear icons on the touch screen display make all programming and customisation operations quick and intuitive.



Inspectable

Rapid, intuitive system for opening and accessing the tank compartment, so it can easily be cleaned as often as necessary.

The total connection to other systems present in the clinic is a fundamental requisite Euronda research has always specifically focused on. This is why we have made it increasingly quick and easy to connect E9 with other Pro System devices, such as the thermosealing machine Euroseal® Valida and the thermodisinfector Eurosafe 60.



Connectivity

A connected system
for effective operation



Expandable connectivity

The total connectivity offered by SD Card, Ethernet and optional E-WiFi kit ensures the sterilisation results are always available on your PC, printers, smartphone and tablet, creating a network (WAN) to share data and resources.



Connected data management

The optional E-WiFi kit can be used to connect the Pro System devices with each other and to a computer, tablet or smartphone. With E-WiFi, all data are available and updated on the computerised sterilisation register. The E-Link software, included in the kit, is easy to install on a Windows or iOS operating system, allowing you to control up to five Euronda devices equipped with the E-WiFi kit.



The future of sterilisation

Connect two or more autoclaves and the other Euronda Pro System devices to the management software to trace all the data and attach them to the patient's file. The E-Data software is available for both Windows and iOS, and can be configured with the main management software present on the market, such as: Dios, Segosoft, Julie, Visiodent and Kodak.

Traceability

Expandable, to adapt to your needs

With E9, the concept of traceability becomes expandable and can be adapted to all your needs, either from the time of purchase or subsequently, when you find it useful to integrate the autoclave with one of the three Print Sets available. These are easy to install, and do not require specialised technical support. Two Print Sets can be integrated into the body of the machine, and do not take up room, for improved convenience in the sterilisation room.





Keep track of everything

Even the basic version of E9 traces each sterilisation cycle, thanks to the SD Card and Ethernet connection, in compliance with the EN 13060 standard. The SD Card storage system means you can save data and move them from the Card to the Computer.



Validation and release of loading

E9 can digitally register the compliance of the sterilisation process at both the loading and discharging stages. The operator will check that the pouches are undamaged and dry, the condition of the instruments and that the sterilisation parameters have been complied with.



Integrable printers

The expandable traceability system allows for the integration of three different types of printers, depending on the characteristics required. The traceability in E9 adapts to the needs of each practice, guaranteeing the control and safety standards established by law.



Print Set 1

Internal printer with thermal paper.



Print Set 2

Internal printer for adhesive labels.



Print Set 3

External printer for large amounts of adhesive labels.

The E9 is equipped with a control system and cutting-edge technologies that safeguard and guarantee safe processes and results, ensuring the autoclave remains functional and efficient over time.



Reliability

Technology at the service of safety



Conductivity meter

The integrated conductivity sensor monitors the quality of the water: if it is not of adequate quality, E9 informs the operator with a message on the display.



Air-water separator

The air-water separator, integrated into the tank unit, is a lifesaver for the vacuum pump. The pumps used on machines of this level are indispensable for proper sterilisation, but they are very delicate, because they are under attack from flows containing steam at high temperatures, air, dirt and chemical residue from the instruments to be sterilised. The device separates the air from the other components before it enters the vacuum pump, which is thus able to operate in ideal conditions, maintaining the efficiency of the device.



Dirt Control System

The dirt control system in the hydraulic circuit of E9 allows for an accurate separation of the flows of clean and dirty water. This allows the dirt to flow easily out of the hydraulic circuit, discharging it directly into the used water tank, so that the autoclave can continue to operate without difficulty.

Functional

Designed for top performance

The care invested in designing E9 makes this autoclave a model in terms of ergonomics, efficiency and user-friendliness. E9 has been designed to guarantee excellent, lasting performance, optimising procedures and consumption, with a particular focus on facilitating rapid inspection and maintenance.





Eco-Friendly

E9 optimises water and electricity consumption, thanks to technologies that make it possible to interpret the effective load inserted, adapting the sterilisation parameters and allowing you to save water, energy and time.



Performance and safety

The instant steam generator makes it possible to improve water consumption based on load, and guarantees excellent performance, for a quick, safe, top-quality sterilisation process. Thanks to the joint effort of the steam generator and the heat resistors, E9 guarantees perfect drying.



Modular structure

The modular structure and the logical arrangement of the internal components allow for quick, easy access to all the internal components of the machine, so that each individual part of the autoclave can be reached, cleaned and maintained.



Innovative and clear-cut design



It can contain up to five trays

Smart

The pleasure of a simple gesture

E9 makes technology even simpler and more intuitive. You'll discover the pleasure of using an autoclave that's truly user-friendly and intuitive, offering all the functions you need to do your job effectively.





Assistance software

E9 is equipped with a series of software applications to facilitate installation, diagnosis and maintenance for technicians. This guarantees top performance every time, cutting the time and costs for work on the machine.



Smart technology that simplifies operations

E9 runs five type B cycles (121°, 134°, 134° Prion, 134° Rapid, 134° Rapid Prion) and three test cycles (Vacuum, Helix, Bowie and Dick). With the Rapid cycle, hollow and porous instruments, placed in pouches, can be sterilised in just 25 minutes. Thanks to the Personal functions, you can also run Light (type N) and Light & Stock (type S) cycles.



It's all in your hands

The system of clear, simple icons on the touchscreen display allows you to control operations quickly and intuitively. The new, clearly visible applications menu guarantees an unprecedented level of customisation, allowing you to interact with the machine by creating your own menu and professional process.



Trays included



Soft touch screen

Inspectable

For complete, convenient cleaning

Since we invented the first inspectable tank, Euronda has continued to develop the concept of inspectability. E9 confirms this: the system for opening and accessing the tank compartment is extremely quick and easy, to facilitate regular cleaning even for the less experienced, guaranteeing safe, effective sterilisation every time for many years.





Inspection® System

Access to the tank compartment is extremely quick and easy, thanks to the Inspection® System, which facilitates operations on the tank unit in the top part of the machine, in full compliance with the EN 13060 standard.



Functional lid

The top lid of E9, made from an innovative technopolymer, is attached with a clever interlocking system, so it can be opened at any time, facilitating disassembly and verification.



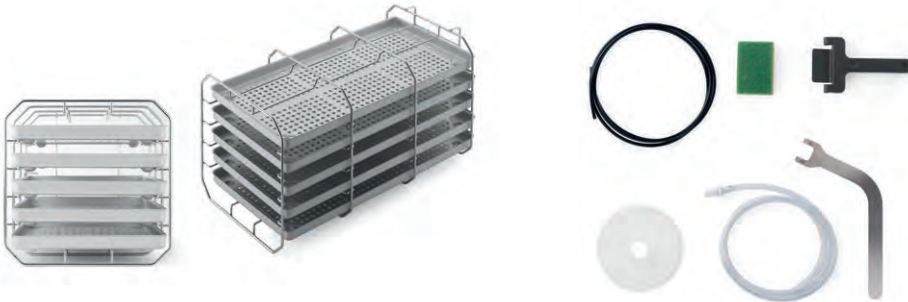
Easily accessible

The side panels, made from latest-generation material, are extremely easy to remove. This also makes inspection and maintenance simpler, quicker and more efficient.



System for quick accessing the tank

Starter kit included



Standard tray holder

Square profile steel tray holder with a capacity of five standard aluminium trays. If rotated by 90°, it can hold three sterilisation cassettes.

Dimensions (wxhxd):

186 x 22 x 379 mm

Five trays included

- Drainage pipes
- Sponge
- Tray removal handle
- Door adjustment handle
- Funnel
- Replacement bacteria filter

Tests



Helix Test

Test for Class B autoclaves to evaluate the capacity of penetration of the steam in hollow loads. Composed of a tube and 250 colour testers to confirm sterilization.

Single pack

Bowie & Dick Test

Test for Class B autoclaves to evaluate the penetration efficiency in porous loads.

Single pack Carton of 10 pieces

Prion Test

Test for Class B autoclaves, calibrated with the temperature, considered effective in 134°C Prion sterilization cycles (134°C x 18 minutes). Composed of 200 colour testers.

Single pack

Sterilisation cycles

	B 134		B 121		
	Solid, porous and hollow, wrapped and unwrapped		Solid, porous and hollow, wrapped and unwrapped. Particularly indicated for plastics, turbines and handpieces		
	18 L	24 L	18 L	24 L	
Temperature	134° C	134° C	121° C	121° C	
Pressure	2.05 bar	2.05 bar	1.05 bar	1.05 bar	
Sterilization time	4'	4'	20'	20'	
Drying time	15'	15'	15'	15'	
Total time with standard loads	27'	29'	43'	44'	
Maximum load solid/porous	4.5 Kg / 1.5 Kg	6 Kg / 2 Kg	4.5 Kg / 1.5 Kg	6 Kg / 2 Kg	

Personal functions

(Light** and Light&Stock cycles** can be activated on demand with a password)

	S 134		S 121		
	Sterilization of non-bagged or bagged solid products		Sterilization of non-bagged and plastic or bagged solid products		
	18 L	24 L	18 L	24 L	
Temperature	134° C	134° C	121° C	121° C	
Pressure	2.05 bar	2.05 bar	1.05 bar	1.05 bar	
Sterilization time	4'	4'	20'	20'	
Drying time	15'	15'	15'	15'	
Total time with standard loads	15'	18'	31'	32'	
Maximum load solid	4.5 Kg	6 Kg	4.5 Kg	6 Kg	

*Times are intended without drying. The times have a tolerance of +-5%.

** All of the cycles are available unless it is not possible due to specific national legislation.

B 134 prion		B 134 - rapid		B 134 prion - rapid	
Prion cycle for wrapped and unwrapped solid, porous and hollow		Rapid cycle for wrapped and unwrapped solid, porous and hollow For 1 tray instruments		Rapid prion cycle for wrapped and unwrapped solid, porous and hollow For 1 tray instruments	
18 L	24 L	18 L	24 L	18 L	24 L
134° C	134° C	134° C	134° C	134° C	134° C
2.05 bar	2.05 bar	2.05 bar	2.05 bar	2.05 bar	2.05 bar
18'	18'	3'5"	3'5"	18'	18'
15'	15'	4'	4'	4'	4'
41'	43'	24'	27'	40'	42'
4.5 Kg / 1.5 Kg	6 Kg / 2 Kg	0.6 Kg / 0.2 Kg	0.6 Kg / 0.2 Kg	0.6 Kg / 0.2 Kg	0.6 Kg / 0.2 Kg

N 134		N 121	
Unwrapped solid instruments		Sterilization of non-bagged and plastic solid products	
18 L	24 L	18 L	24 L
134° C	134° C	121° C	121° C
2.05 bar	2.05 bar	1.05 bar	1.05 bar
4'	4'	20'	20'
4'	4'	4'	4'
24'	24'	33'	33'
4.5 Kg	6 Kg	4.5 Kg	6 Kg

Technical data

	E9 - 18 L	E9 - 24 L
Overall dimensions	460 x 455 x 610 mm (wxhxd)	
Weight (machine empty with basket)	45,5 Kg	48 Kg
Power supply	230 V 50 / 60 Hz	
Absorbed current	2300 W	
Operating temperature	+5 - +40°C	
Operating altitude	≤ 2000 m a.m.s.l.*	
Minimum depth of the support surface	500 mm	
Minimum width of the support surface	460 mm	
Minimum space above the tank	0 mm leaving the loading cap free	
Noise level	50 dB	
Weight per support area (tank full and chamber with max. load)	45,5 Kg + 7,5 Kg = 53 Kg Load on each foot : 13,3 Kg	48 Kg + 9 Kg = 57 Kg Load on each foot : 14,3 Kg
Operating range	Indoor use - Relative humidity 85% Maximum line-voltage deviation ±10% Installation category II - Pollution level 2	
Water consumption volume	300 ml	
Tank capacity (clean water / used water)	5 litres / 3,3 litres	

* For altitudes higher than 2000m, please contact Euronda SPA

Safety Device

- Overpressure protection
- Accidental door opening protections
- Process appraisal system
- Real-time self diagnostic system

Compliance with harmonised standards

EN 13060
EN 14971
EN 61010-1
EN 61010-2-040
EN 61326
EN 13445

Documentation

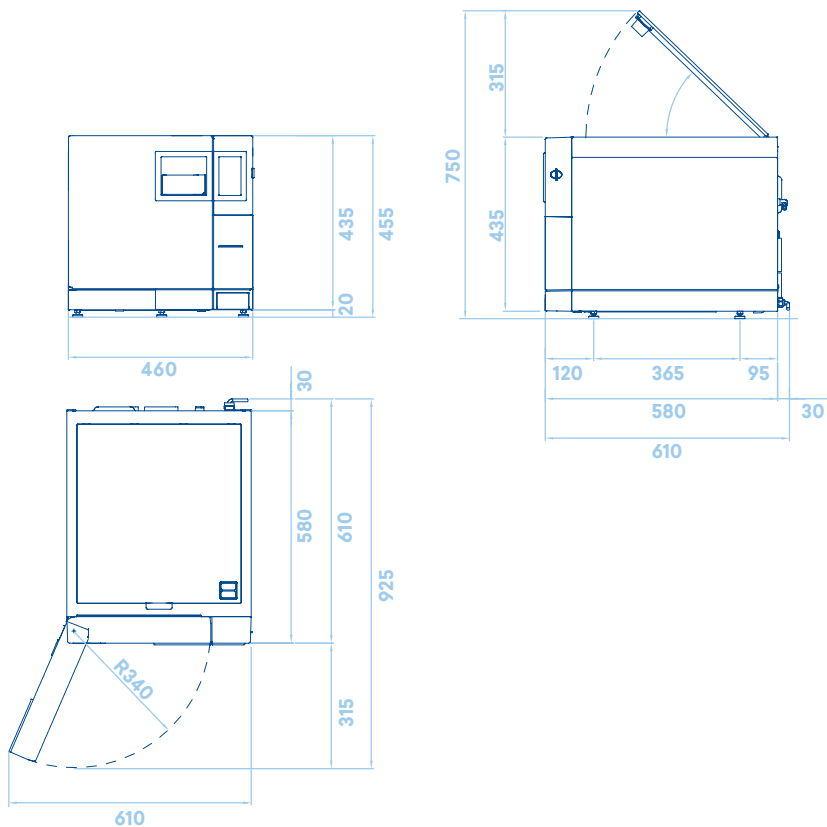
- User Manual
- Declaration of conformity chamber
- Declaration of conformity autoclave
- Warranty Certificate
- Installation chart
- Servicing handbook

Certification information

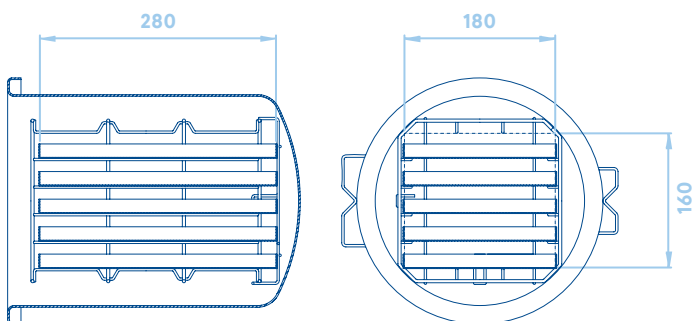
- E9 Autoclave compliant with Directive 93/42/EC and addenda.
- Class II b device
- Chamber compliant with PED Directive 2014/68/EC
- Company certification: ISO 9001, ISO 13485
- CE Type Ref: E9 NEXT 18L – E9 NEXT 24L

Technical Specifications

Overall required space (mm)



Useful Space (mm) E9 - 18 L



Useful Space (mm) E9 - 24 L

