



# Hydro

EXAMINATION COUCH • HYDRAULIC VARIABLE HEIGHT





## COMFORT

- > Gas spring assisted backrest
- > Autonomous couch : No connection necessary
- > Energy saver
- > Fast descent
- > Possibility to adapt many accessories



## ACCESSIBILITY

- > Variable height from 55 to 93 cm
- > 12 cm clearance
- > Compatible with a hoist



## SAFETY

- > Capacity : 200 kg
- > M1 fire retardant upholstery (depending on the color, see color chart)
- > No interferences possible with electric or electronic appliances
- > Compatible in Psychiatric Hospital (no cords)



## HYGIENE

- > Frame easy to clean
- > Covering with antibacterial protection (depending on the color, see color chart)
- > Paper roll holder
- > Casters for occasional move (option)

### Variable height

↑  
55 / 93 cm  
↓

### Lying surface

↔  
↕  
65/75 x 200 cm

### Capacity

200 kg



WELCOME



HIGH POSITION



GENERAL  
EXAMINATION



WITH BARRIERS

## STANDARD FEATURES

Hydraulic height adjustment from 55 to 93 cm

Steel frame structure with white epoxy finish

Gas-spring assisted backrest

Adjustable levellers under base (model 1050-10)

Block'n Roll® - Built-in retractable castor system semi centralized (model 1050-15)

Paper roll holder (head end) max length 50 cm - ø 20 cm

200 kg patient weight capacity  
(tested at a dynamic weight of 250 kg and a static weight of 800 kg)



This is a couch and therefore not allowed for patient transfer

1050-10

Levellers

1050-15

Block'n Roll®

## UPHOLSTERY

\*All models, to order separately



## OPTIONS\*

\*Plant installed, must be ordered with initial order

## ACCESSORIES



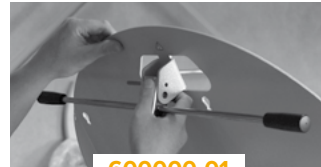
81036

Set of 4 double castors with brake ø 50 mm (for 2050-10/20)

For upholstery  
65 cm 75 cm

2231-65 2231-75

Face cutout in head cushion only with flat upholstery 600150-65 / 600150-75



600000-01

Factory assembly fitting of upholstery



166

Pair of clamps



850+166

Pair of stirrups



840+166

Pair of plastic legrests



861

Pair of covers for legrests



2536+166

Armrest (unit)



2537

Cover for armrest (unit)



2054-01

Headrest not compatible with lateral paddings upholstery



2055-01

Backrest extension



1102-10

Headrest



85114-01

Pair of barriers  
Incompatible with 166, 985-01, 2985-01



2056-02

Adjustable paper-roll holder (head-end)  
(350-800 mm, ø 200 mm)



2057-02

Adjustable paper-roll holder (foot-end)  
(350-800 mm, ø 200 mm)



985-01+166

2 hook IV pole



2985-01+166

Auto-locking 2 hook IV pole

NET WEIGHT : 82 KG  
 GROSS WEIGHT : 112 KG  
 PACKAGE VOLUME : 1,036 M<sup>3</sup>

CHOICE OF M1 ANTIBACTERIAL  
 FIRE-RETARDANT UPHOLSTERY

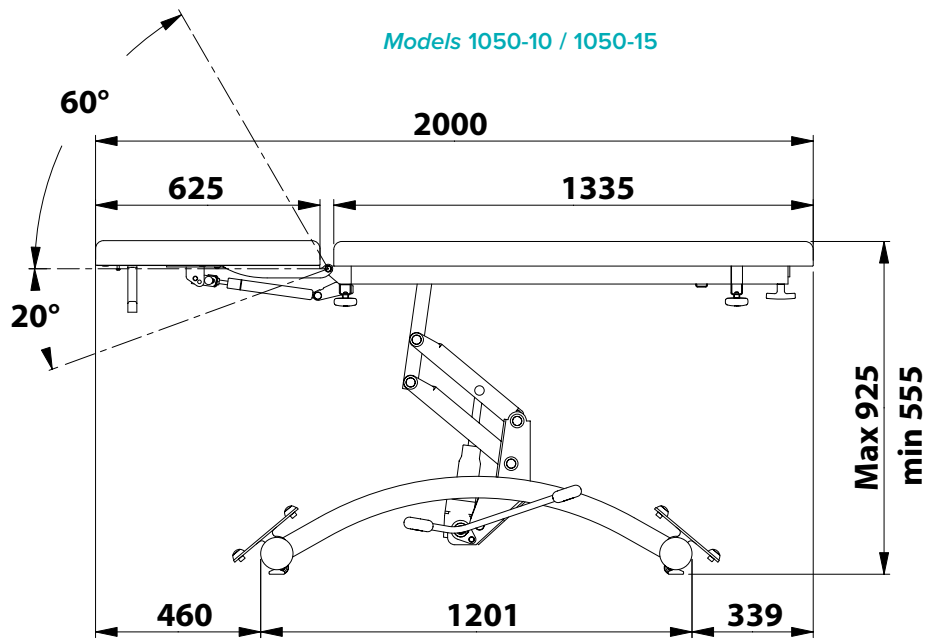
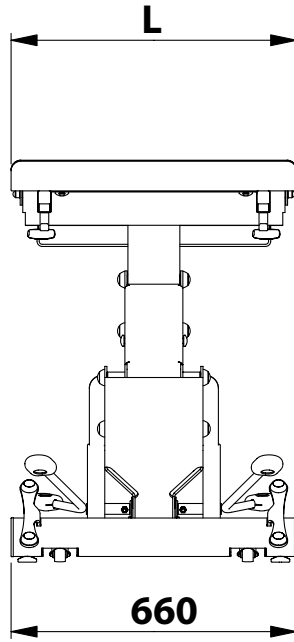
CLASSIC RANGE

- CA - TOMATO
- CB - FUCHSIA
- CC - PLUM
- CD - LEMON
- CE - PEACOCK
- CF - SAPHYR
- CG - MIDNIGHT BLUE
- CH - GLACIER
- CI - DARK
- 57 - ANTISTATIC
- CJ - GREY
- CK - PLATINUM

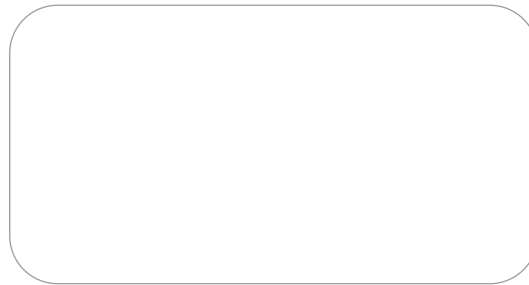
ELEGANT RANGE\*

- EA - DEEP GREEN
- EB - VEGETAL
- EC - STORM
- ED - SILVER BLUE
- EE - PAPRIKA
- EF - TWILIGHT
- EG - CAMEL
- EH - CORK

\* The Elegance range is subject to the application of a price supplement. Please refer to the price list.



FE-13/22



Distributed by:



WWW.PROMOTAL.NZ  
 WWW.PROMOTAL.COM.AU